

CT Series Servend[®] Countertop Tower



CT Series
Countertop Tower

Servend's new CT Series tower allows easy addition of fountain beverages to limited-space applications. Durable stainless steel construction provides years of reliable service.

- Tool-less drain pan and splash panel removal allows easy access for installation and service.
- Design is based on Servend Drop-in dispensers for common parts and appearance.
- Lighted, dual-view merchandiser, promotes fountain beverage sales.
- Can be used in conjunction with Servend ice chests or Multiplex remote refrigeration units.



ISO 9001:2000
Quality System Certified

Leader in Ice & Beverage Dispensers
Countertop Ice/Bev • Drop-in • Countertop Electric
Undercounter • Beverage Towers • Ice Chests

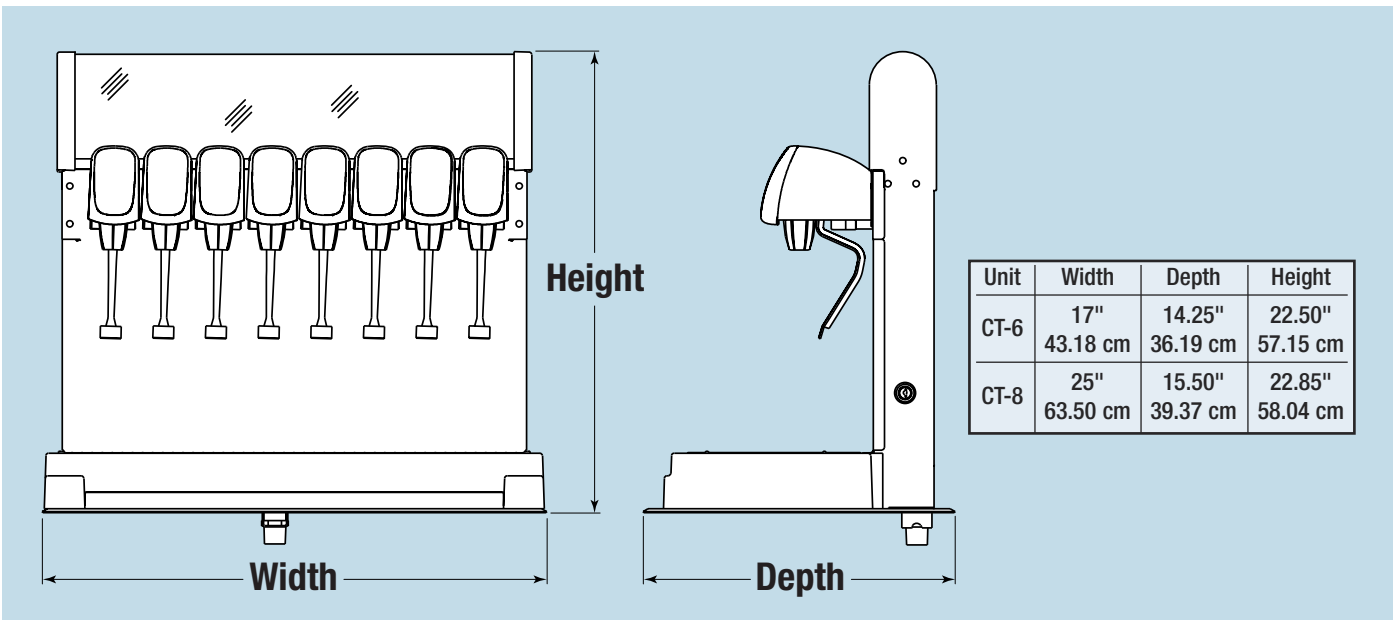
 **Manitowoc**

CT Series Countertop Tower

Specifications

	CT-6	CT-8
Standard Features	Flomatic 464 GP beverage valves. Lighted dual-view merchandiser, "Quench Your Thirst" graphics and key switch.	
Manifold	2-1-1-2	3-1-1-3
Electrical Requirements*	120V/60Hz / 2.4 FLA	120V/60Hz / 3.2 FLA
Drains	One 3/4" (1.9 cm) MPT Filling – Bottom mounted	
Shipping Weights	50 lbs. / 23 kgs	55 lbs. / 25 kgs
Options	Drop-In lightbox, splash guards and other beverage valves available.	

*Please contact factory for international voltage



2959A ©2008 Servend 509 Continuing product improvement may necessitate change of specifications without notice.



MANITOWOC BEVERAGE
 2100 Future Drive
 Sellersburg, IN 47172, USA
 Ph: 812-246-7000 • Fax: 812-246-7024
 Visit us online at www.manitowocbeverage.com

